

# Arpool L

Specification Sheet



## Ordering Information

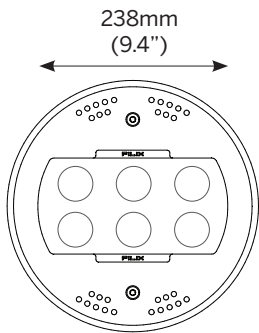
Model	Installation	Finish	Power	Color Temp.	Optics	Voltage	Options
AL							
AL	TMR TMS	P M B	L H	30 40 RGBW	SP FL W EL SE	12 24	C* C6 C9



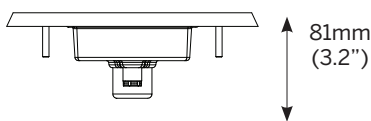
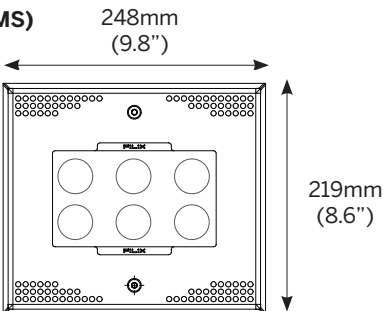
### Application

- Large public and hotel pools
- Fountains and water features
- Pool finish - tiles, foil, liquid foil coating
- Installation depth up to 5m (16')
- Max tile thickness 25mm (1")
- Chlorine and saline environment
- Recommended installation depth 0.3m-0.6m (1'-2')
- DMX, DALI, 0-10V compatible

### (TMR)



### (TMS)



### Luminaire

- High performance optics
- UL STD 676, submersible, IP68
- Corrosion protection C4\*Black finish
- Stainless steel construction 316L marine grade
- Tempered glass, crystal clear
- Lifetime TM-21 @85C L80(12k)=72600h
- Working temperature from -25°C (-13°F) to 50°C (122°F)
- Supplied with oil and water resistant 3m (10') feed cable standard, single color 2x0,82(16AWG)mm, RGBW 5x0,82(16AWG)mm
- Cable conduit 1.5m (5')
- IK10

### Installation

- Trim Round (TMR) = 238mm (9.4" ø)
- Trim Square (TMS) = 248mm x 219mm (9.8"ø x 8.6")

### Finish

- P - Stainless steel polished
- M - Stainless steel sandblast matte
- B - Painted black

### Power (delivered lumen output)

- L - 35W 3000/4000K, 2625 lm
- H - 65W 3000/4000K, 4425 lm
- L - 35W RGBW
- H - 65W RGBW

### Power Supply

#### Power supply On/Off - 12V

- 101052 - OT30 12V P - IP67
- 101053 - OT60 12V P - IP67
- 100879 - OT120 12V P - IP67

#### Power supply with integrated controls - 12V

- 102345 - ELDOLED Linear Drive 100S (DXM,DALI+PS)

#### Controls - 12V

- 102788 - OT DMX RGBW DIM 12/24V - 89W
- 101047 - OTI DALI DIM 60W 1CH
- 101046 - OT DIM 60W (1-10V)

### Color Temperature

- 30 - 3000K
- 40 - 4000K
- RGBW
- 2 Step MacAdam
- CRI: > 85

### Optics

- SP - Spot - 15°
- FL - Flood - 45°
- W - Flood - 70°
- EL - Elliptical - 15x36°
- SE - Elliptical - 20x120°

### Voltage

- 12 - 12Vdc fixture voltage
- 24 - 24Vdc fixture voltage

### Cable Options

- C - standard feed cable 3m (10')
- C6 - luminaire supplied with 6m (20') feed cable
- C9 - luminaire supplied with 9m (30') feed cable

### Installation housing order codes

- AL370 - (TM)

### Accessories

- ALSS - Adapter for stainless steel and liner pool
- 200253 - Cable gland set for pipe (IP68 gland+tube adapter)

#### Power supply On/Off - 24V

- 103233 - OT60 24V P - IP67
- 103196 - OT130 24V P - IP67
- 103234 - OT250 24V P - IP67

#### Power supply with integrated controls - 24V

- 102345 - ELDOLED Linear Drive 100S (DXM,DALI+PS)

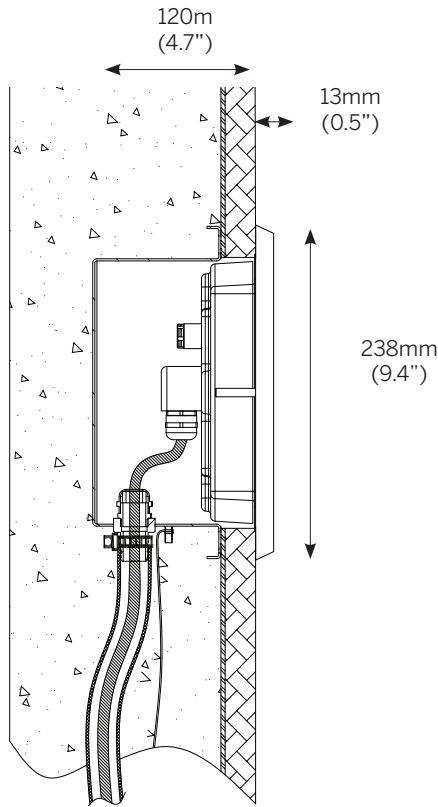
#### Controls - 24V

- 102788 - OT DMX RGBW DIM 12/24V - 183W
- 101047 - OTI DALI DIM 120W 1CH
- 101046 - OT DIM 60W (1-10V)

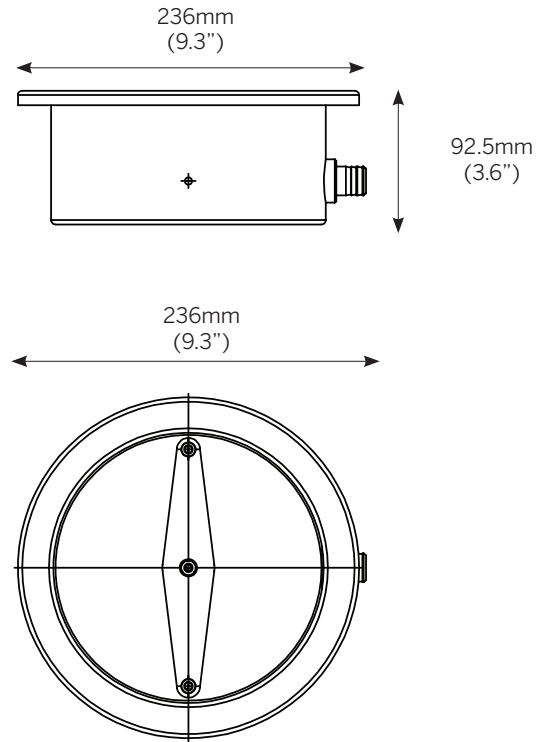
International: +385 52 255 324  
 info@filixlighting.com  
 Europe/GmbH: info@filixlighting.com  
 Europe MENA: info@filixlighting.com  
 North America: filixlighting.com info@filixlighting.com

Click [here](#) for voltage drop and distances.

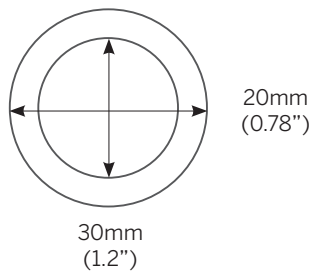
**Trim (TM)**



**Installation housing - AL370 \*fits 2m (6.6') cable**



**Cable conduit - standard 1.5m (5')**



**ALSS - Adapter for stainless steel and liner pool**