

ION Switch

Specification Sheet



Ordering Information

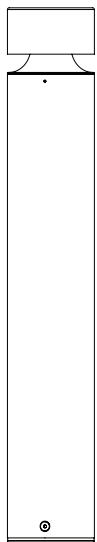
Model	Height	Power	Color Temp.	Optics	Finish	Options
IN	M L	L	27 30 40	QM	W AT BK	D V



Application

- Architectural and landscape lighting
- Surface mount
- Anchor installation
- 4 apertures, 5 light effects
- Switch for angle adjustment
- UL STD 1598, IP66, Wet location

150mm (5.9")



400mm (16")
1000mm (39")

Luminaire

- Aluminium structure body
- Anodized and painted body
- Base for feed through connection
- Recessed lens
- UL STD 1598, IP66, Wet location
- On site head movement 360° degrees
- Aluminium construction
- Integrated power supply
- Finish powder coat RAL9003/RAL7016 RAL9005 structure
- Junction box 4x5mm2 - IN/OUT
- IK10

Height

- M - 16" - 400mm
- L - 39" - 1000mm

Power - Delivered lumens

- L = 24W 3000K 865 lm (360 degrees)

Color Temperature

- 27 = 2700K
- 30 = 3000K
- 40 = 4000K
- 2 Step MacAdam
- CRI: > 85

Optics

- QM - 0-360° (switch)

Constant Voltage

- 120-240V

Finish

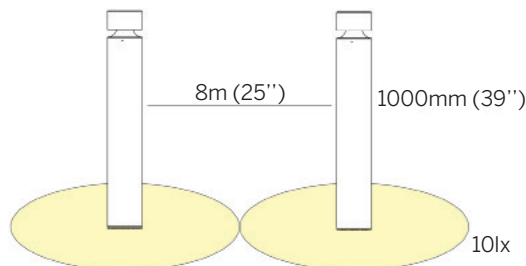
- W=RAL 9003 Structure (white)
- AT=RAL 7016 Structure (grey antracite)
- BK=RAL 9005 Structure (black)

Options

- D - DALI
- V - 0-10V

Accessories

- 201846 - Installation Anchor (H400mm)

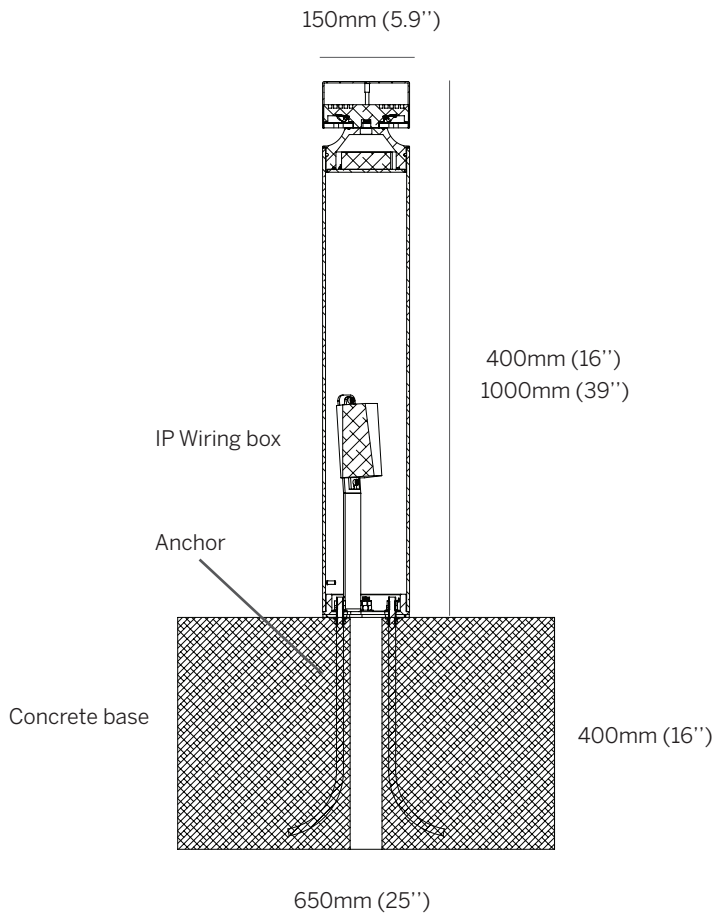


ION Switch

Dimensions

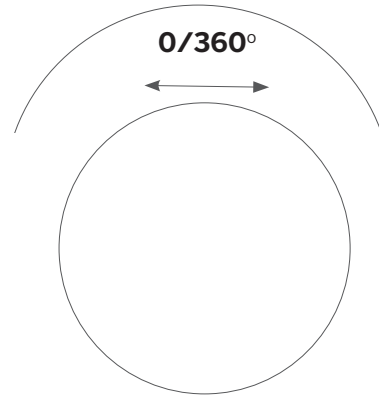


Dimension/Detail



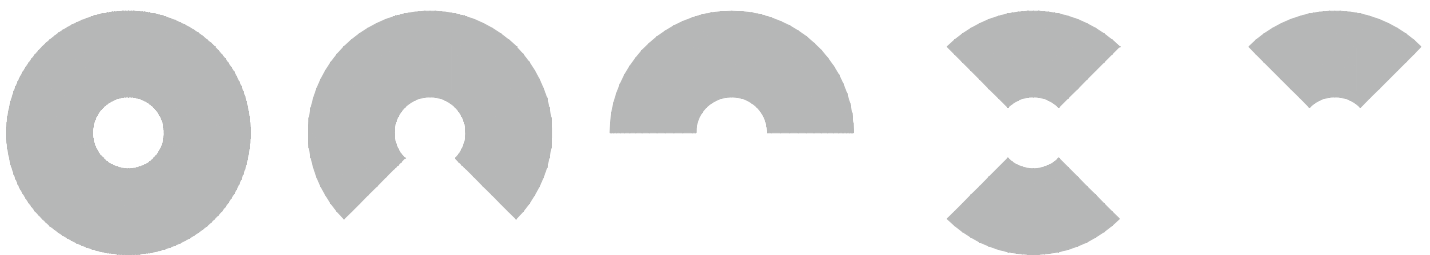
ONSITE HEAD MOVEMENT 360° WITH LOCK

Allows ON SITE manual head adjustment for change of light distribution angle or fine tuning.



MANUAL ON SITE LIGHT INTENSITY/DISTRIBUTION SWITCH

Light Effect



International: +385 52 255 324 filixlighting.com info@filixlighting.com
Europe/GmbH: info@filixlighting.com
Europe MENA: info@filixlighting.com
North America: filixlighting.com info@filixlighting.com

Filix reserves the right to make technical changes without notice.