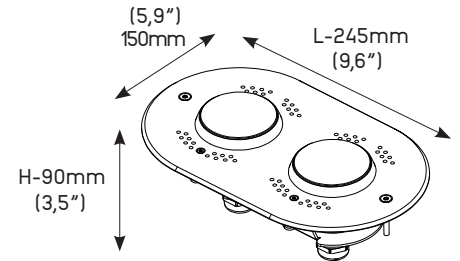




Arpool Iris Bifecta

Specification Sheet



UL STD 676 swimming pool rated
CSA C22.2#89 swimming pool rated
IP68

LUMINAIRE FEATURES

Design and Application

- Installation depth max. up to 5m (16')
- Recommended installation depth 0,3m-0,6m (1'-2')
- Max tile thickness 25mm (1")
- Trim flange overlap 10mm (0,4")
- DMX, DALI, 0-10V compatible (remote)
- Floor, wall, and stairs installation
- Large and medium pools
- Fountains and water features
- Individual engine rotation 20° all directions
- Horizontal and vertical installation

Performance

- IK10, Tempered glass, crystal clear
- Chlorine and saline environment
- Stainless Steel type 316L, marine grade
- Galvanic current protection
- Thermal fold back technology
- LED Lifetime TM-21 @ 105°C
L80(24K) = 145,000 hours
- Supplied with oil and water resistant
3m (10') feed cable as standard
- CRI: > 85
- 3 Step MacAdam

Safety

- Child safe - no internal access during rotation
- Remote power supply
- Low voltage operation
- Recessed installation

Sustainability

- Recyclable material
- Replaceable engine (page 3)

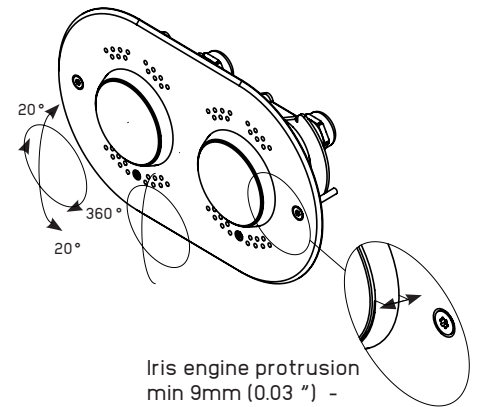
Installation housing

- AIB - Iris Bifecta

Power supplies

- List of proposed power supplies that are to be ordered separately.
- Click [here](#) for list of available drivers.
- Click [here](#) for voltage drop and distances.

360 ° Rotation,
20° tilt screw adjustment



Click [here](#) to download fixture installation manual.
Click [here](#) to download housing installation manual.
Click [here](#) to download CAD file.
Click [here](#) to download IES-LTD data.



Arpool Iris Bifecta

ORDERING INFORMATION

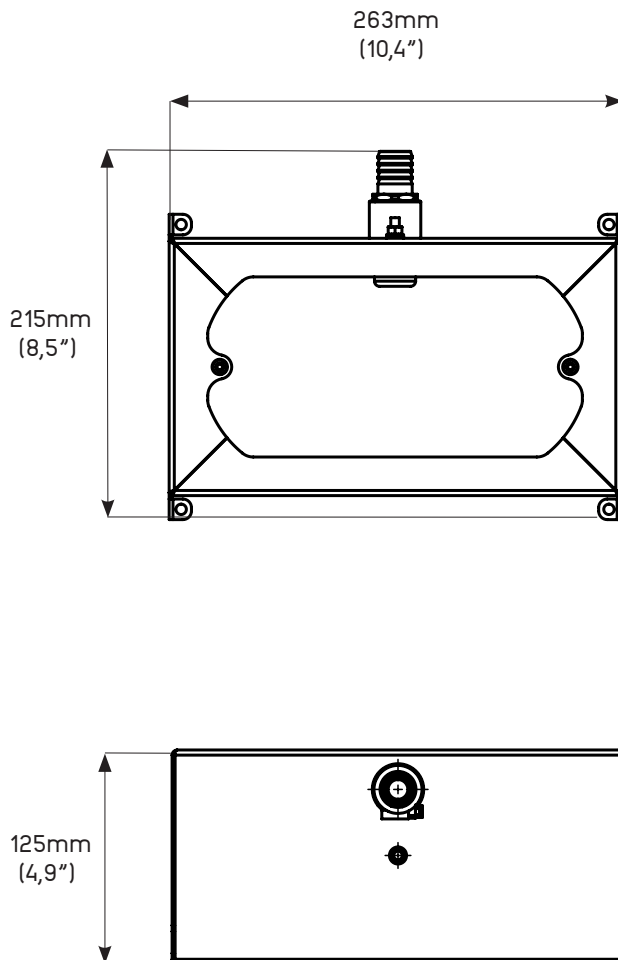
MODEL	
AIB	
APPLICATION	
TM	<ul style="list-style-type: none">• TM - 245mm x 150mm (9.6" x 5.9")
POWER	
H	<ul style="list-style-type: none">• H - 30W, 3000K - 4000K, 2400lm• H - 30W, RGBW
COLOR TEMP.	
27	<ul style="list-style-type: none">• 27 - 2700K
30	<ul style="list-style-type: none">• 30 - 3000K
40	<ul style="list-style-type: none">• 40 - 4000K
TW	<ul style="list-style-type: none">• TW - Tunable white (2200-4000K)
RGBW	<ul style="list-style-type: none">• RGBW (W 4000K)
OPTICS	
SP	<ul style="list-style-type: none">• SP - Spot - 15°
FL	<ul style="list-style-type: none">• FL - Flood - 40°
W	<ul style="list-style-type: none">• W - Wide - 70°
VOLTAGE	
12	<ul style="list-style-type: none">• 12 - 12VDC fixture voltage
24	<ul style="list-style-type: none">• 24 - 24VDC fixture voltage
OPTIONS	
3	<ul style="list-style-type: none">• 3* - standard feed cable 3m (10')
6	<ul style="list-style-type: none">• 6 - luminaire supplied with 6m (20') feed cable
9	<ul style="list-style-type: none">• 9 - luminaire supplied with 9m (30') feed cable
20	<ul style="list-style-type: none">• 20 - luminaire supplied with 20m (65') feed cable
GLARE CONTROL	
1	<ul style="list-style-type: none">• 1 - Half moon



Arpool Iris Bifecta

HOUSING

Installation housing - AIB * fits 1m (3') cable
Concrete pool installation, side feed



REPLACEABLE ENGINE

MODEL
IE
POWER
H
COLOR TEMP.
30
40
RGBW
OPTICS
SP
FL
W
VOLTAGE
12
24
OPTIONS
X

*Replaceable Iris engine - code for single Iris engine unit to be order separately in the following cases:

- Servicing
- Customization (optical and color variations - excluding RGBW)

Note:
For details on specific depths, tiling thickness and other please refer to both Installation instructions for fixture and housing.